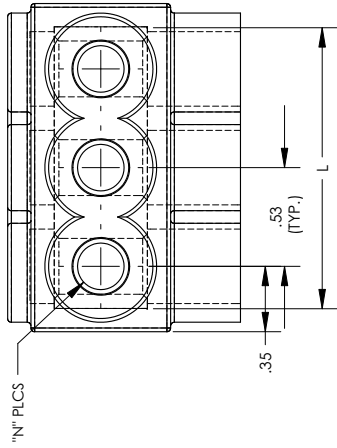
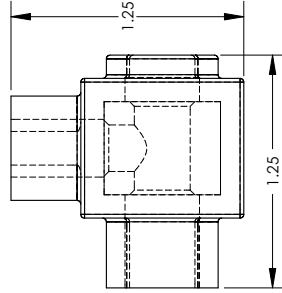
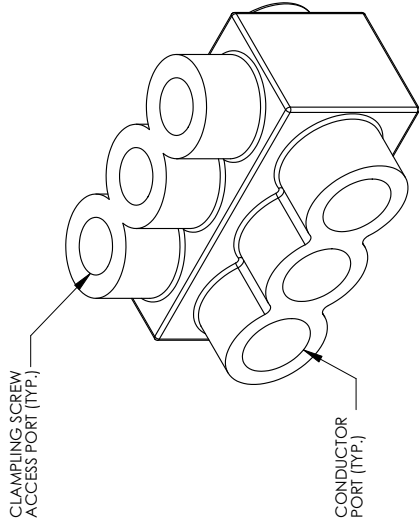
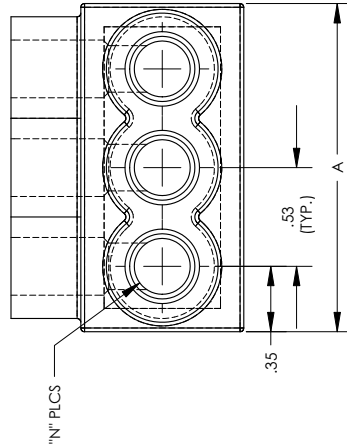


THIS COPY IS PROVIDED ON A RESTRICTED BASIS AND IS NOT TO BE USED IN ANY WAY DETRIMENTAL TO THE INTERESTS OF PANDUIT CORP.



THREE PORT CONNECTOR BLOCK SHOWN WITH PLASTIC CLOSURE PLUGS REMOVED. SEE TABLE FOR DIMENSIONS OF PARTS WITH ADDITIONAL PORTS



PANDUIT FINISHED GOODS PIN	CONDUCTOR RANGE	HEX KEY	SCREW QTY.	CAP (SCREW PORT) QTY.	CAP (WIREFORM) QTY.	A	L	N	TIGHTENING TORQUE
PCSB350-2S-4Y	350 kcmil - #10 STR	5/16	2	2	2	2.17	19.20	2	275 in/lb
PCSB350-3S-4Y		5/16	3	3	3	3.17	2.920	3	
PCSB350-4S-3Y		5/16	4	4	4	4.17	3.920	4	
PCSB350-5S-3Y		5/16	5	5	5	5.17	4.920	5	
PCSB350-6S-2Y		5/16	6	6	6	6.17	5.920	6	
PCSB350-8S-2Y		5/16	8	8	8	8.17	7.920	8	
PCSB350-10S-2Y		5/16	10	10	10	10.17	9.920	10	
PCSB350-12S-1Y		5/16	12	12	12	12.17	11.920	12	
PCSB350-14S-1Y		5/16	14	14	14	14.17	13.920	14	

NOTES:

- UL486A-JL486B LISTED, DUAL RATED CU9AL FOR ALUMINUM OR COPPER CONDUCTORS. MEETS OR EXCEEDS ANSI C119.4
- SEE TABLE FOR WIRE RANGE.
- STRIP LENGTH: 1.00 + .06/-0
- FOR TIGHTENING TORQUE SEE TABLE
- VOLTAGE RATING: 600 V. MAX. BUILDING WIRE, 1000 V. MAX. IN SIGNS & FIXTURES.
- TEMPERATURE RATING: 90 °C (CU9AL).
- CONNECTOR BLOCK BODY ARE MADE FROM ALUMINUM. CONDUCTOR PORTS IN CONNECTOR BLOCK ARE PREFILLED WITH AN OXIDE-INHIBITING COMPOUND.
- CONNECTOR TO INCLUDE TIN PLATED ALUMINUM CLAMPING SCREWS FOR EACH CONDUCTOR PORT.
- INSULATION MATERIAL IS CLEAR PVC.
- CLAMPING SCREW ACCESS PORTS AND ALL WIRE ENTRY PORTS ARE PROVIDED WITH REMOVABLE PLASTIC CLOSURE PLUGS.
- ALL DIMENSIONS SHOWN ARE NOMINAL.
- ONLY ONE CONDUCTOR PER PORT ALLOWED.

- 13 PACKAGE QTY: -12 = 12 PCS.
 -6 = 6 PCS.
 -4 = 4 PCS.
 -3 = 3 PCS.
 -2 = 2 PCS.

14 THIS PART IS ROHS COMPLIANT



<p>PANDUIT CORP. TINLEY PARK, ILLINOIS</p> <p>MULTI-TAP INSULATED CONNECTORS PCSB350 SERIES SINGLE SIDED</p>				<p>UNLESS OTHERWISE SPECIFIED, DIMENSIONAL TOLERANCES ARE: (X) ± (XX) ± ANGLES ±</p>				<p>SCALE 1.5:1</p>	
<p>UNLESS OTHERWISE SPECIFIED, DIMENSIONAL TOLERANCES ARE: (X) ± (XX) ± ANGLES ±</p>				<p>DRAWN BY JVS</p>		<p>DATE 08/99</p>		<p>CHK'D RLS</p>	
<p>REVISED NOTE 3: 1.00 WAS .56 ADDED HEX KEY SIZE TO TABLE</p>				<p>DESCRIPTION</p>		<p>ECN</p>		<p>CUST QA APP</p>	
<p>REV 02</p>		<p>DATE 11/09</p>		<p>BY JHNU</p>		<p>CHK JHNU</p>		<p>APP</p>	

SEE NOTE 1 ABOVE

DWG C41527_02
 B SIZE